



**79**  
STONES

**STONES REQUIRED:**  
79 stones required to complete this project

**STONES SIZE:**  
12-L x 8-W x 4-H in (approx.)  
305-L x 203-W x 102-H mm



**INSTALLATION GUIDELINES:**

**Suggested tools:** Safety glasses, gloves, tape measure, level, rubber mallet, shovel, wheelbarrow, hand tamper (or plate compactor), and class A gravel.

**Base Preparation.** Dig an area that is 6" larger on all sides than your project and at least 8" deep. Compact class 'A' gravel in the area 2" at a time and fill to a depth of 6" to withstand weight of project and resist seasonal frost from below.

**The First Row.** Lay the first level of blocks on the compacted gravel base, making sure the stones are level from side to side and front to back. Bury half of the base block.

**Additional Rows.** Stack additional rows by staggering the stones up the two posts to your desired height. When installing the wall section make sure the wall face row is evenly spaced and the joints of the cap row meet over top of the wall face to increase stability. Apply concrete adhesive in between all stones to adhere to stones together and increase your project stability.

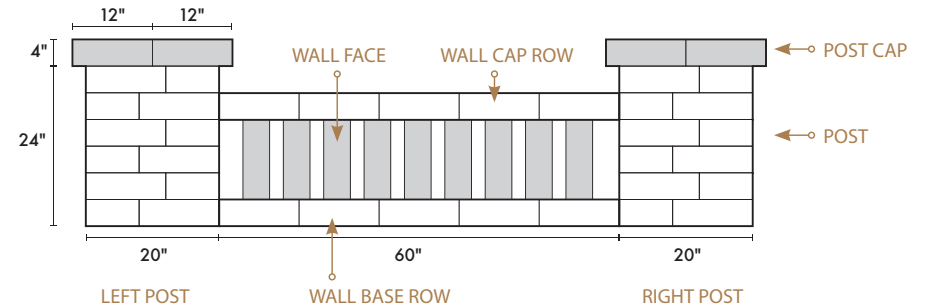


Natural Charcoal    Autumn Blend    Chamois Charcoal    Mocha Charcoal

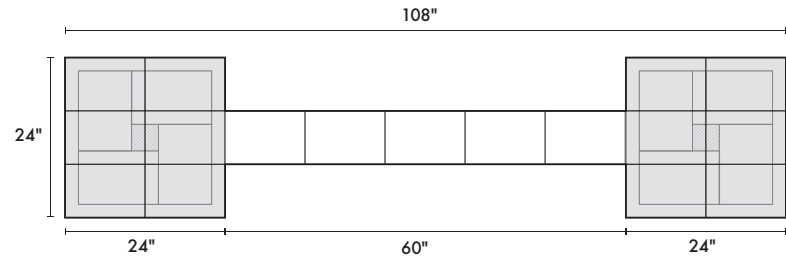
**FRONT VIEW**

**STONES REQUIRED:**

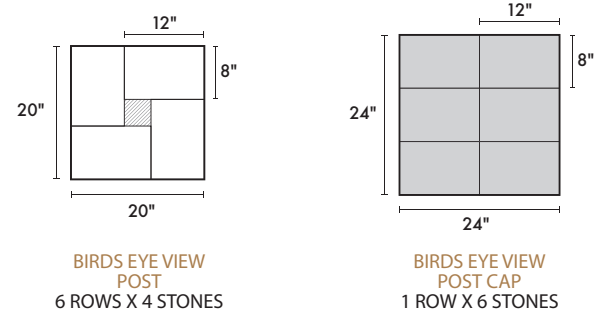
- Left post = 24 stones
- Left post cap = 6 stones
- Right post = 24 stones
- Right post cap = 6 stones
- Wall base row = 5 stones
- Wall caps = 5 stones
- Wall face = 9 stones



**BIRDS EYE VIEW**



**BIRDS EYE VIEW POST & POST CAP**



BIRDS EYE VIEW POST  
6 ROWS X 4 STONES

BIRDS EYE VIEW POST CAP  
1 ROW X 6 STONES

NOTE: STAGGER EVERY OTHER ROW TO ACHIEVE STABILITY

