

SIENAEDGE FIRE PIT

ASSEMBLY INSTRUCTIONS



BASE PREPARATION:

Aggregate Base Foundation:

- 6" deep
- 8" outside perimeter of base
- Compact sub-base soils to 95% of standard proctor
- Compact Aggregate base to 95% of standard proctor

Zoning Permits:

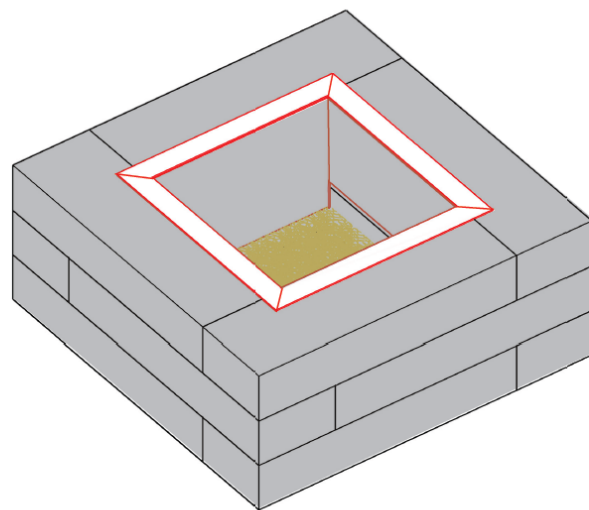
Before planning your projects, it is important to know about zoning requirements and rules for excavating and building in your area. No matter the size of your project, be sure to attain the necessary permits before starting construction.

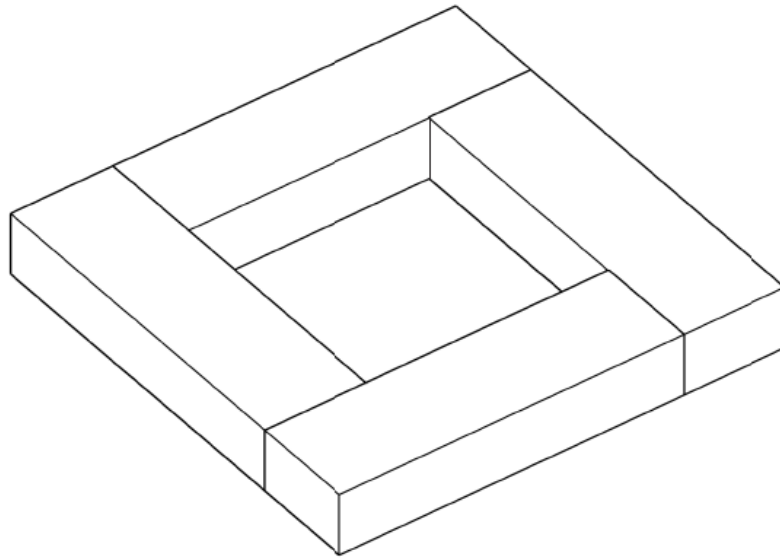
Know What's Below:

Whether you are planning to complete a project yourself or hire a professional; checking with appropriate contacts in your local area before any job can help to ensure smart digging. Homeowners often make assumptions about whether or not they should have their utility lines marked on their properties, but every job that requires digging also requires a call to appropriate contacts in your area.

PART LIST:

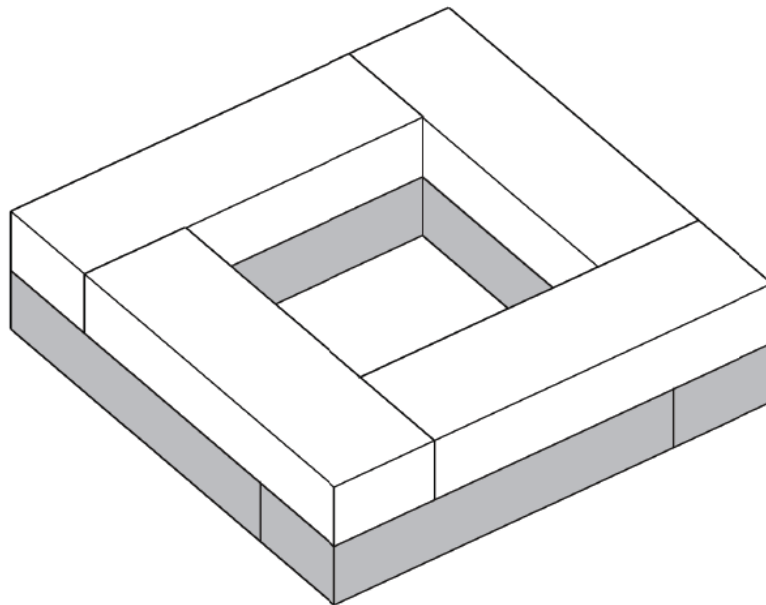
- 12 Pcs 39"L x 11.5"D x 7"H (268 lbs each)
- 5 Bags 3/4" Clear Stone
- Steel Square Fire Pit Surround
- Steel Square Fire Pit Cap





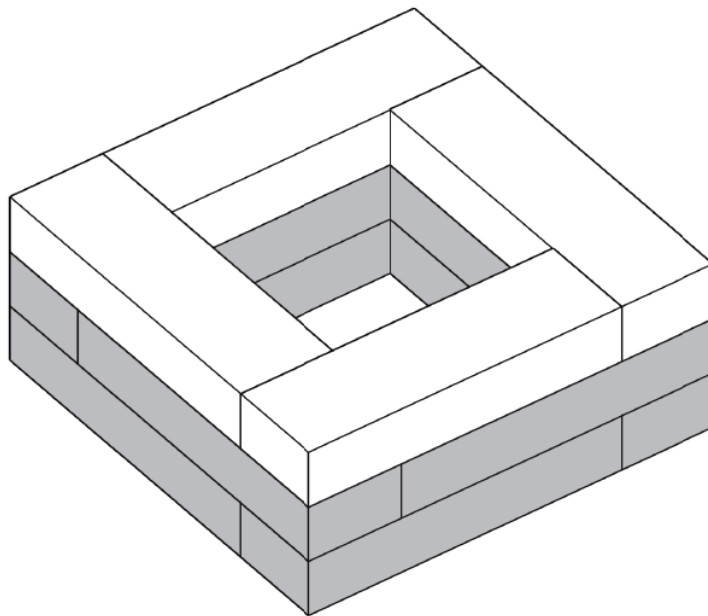
Step 1

4 Coping/Corner Stones



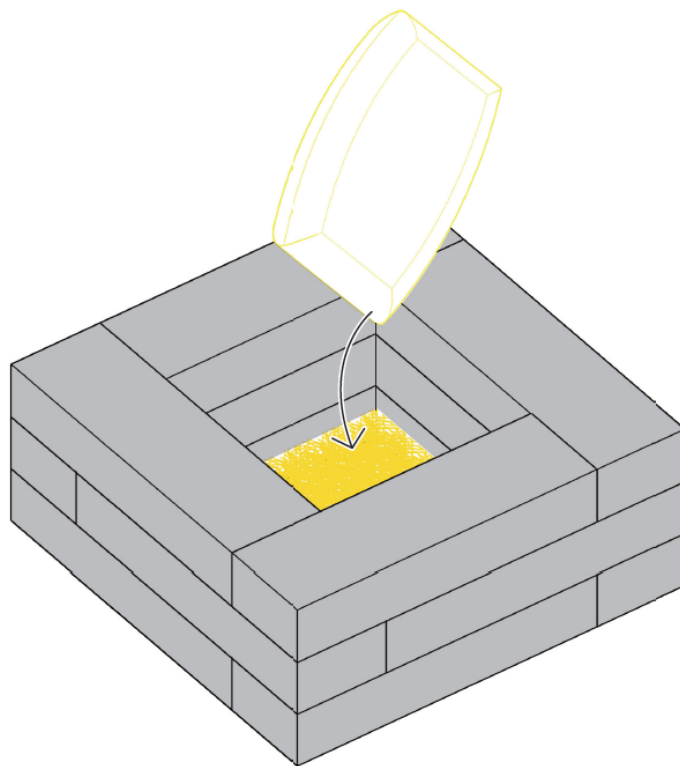
Step 2

4 Coping/Corner Stones



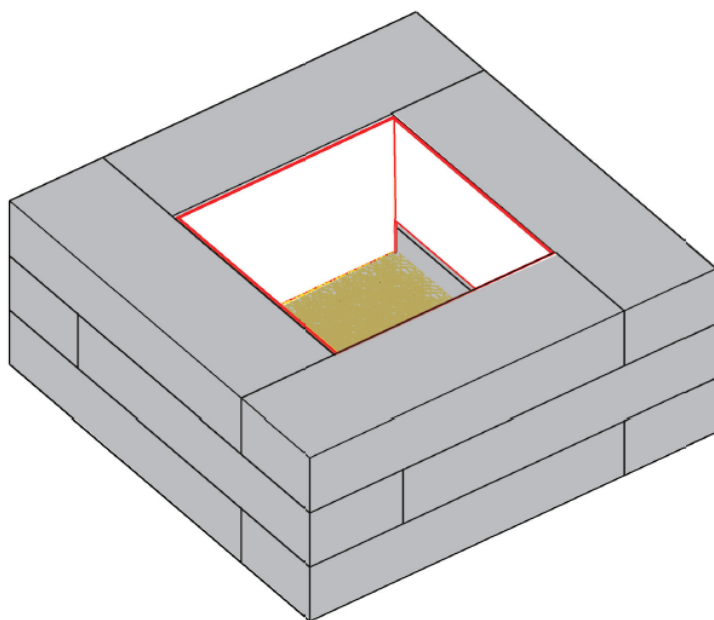
Step 3

4 Coping/Corner Stones



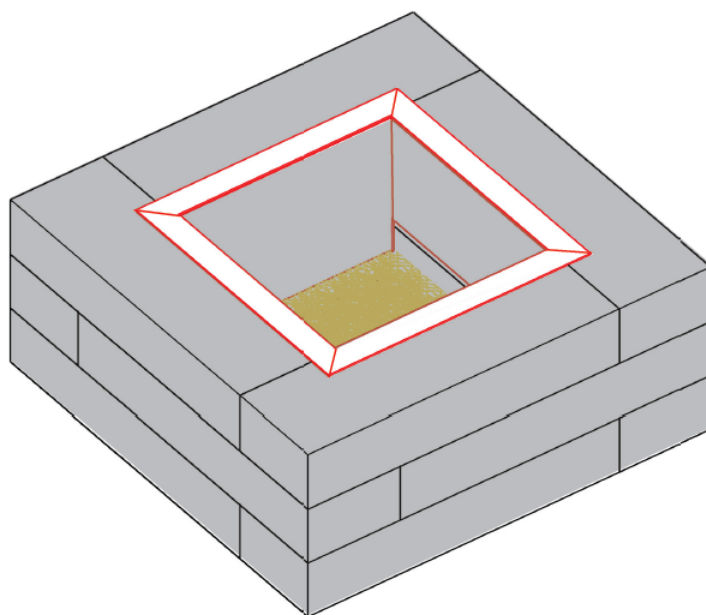
Step 4

5 Bags $\frac{3}{4}$ " Clear Stone



Step 5

Steel Square Fire Pit Surround



Step 6

Steel Square Fire Pit Cap

CONTACT INFORMATION

Corporate Office

20 Clay Brick Way, PO Box 2130, Lantz, Nova Scotia B2S 3G4

Phone: 902-883-2201 | Fax: 902-883-1457

Email: salesinfo@shawbrick.ca

Website: shawbrick.ca

Retail Locations

DARTMOUTH

498 Windmill Road, Dartmouth, Nova Scotia B3A 1C6

Phone: 902-468-7429 | Fax: 902-468-7149

Email: dartmouth@shawbrick.ca

SYDNEY

11 Disco Street, Sydney, Nova Scotia B1P 6H4

Phone: 902-564-8228 | Fax: 902-564-0538

Email: sydney@shawbrick.ca

MONCTON

329 Collishaw Street, Moncton, New Brunswick E1C 9R2

Phone: 506-857-8886 | Fax: 506-857-4044

Email: moncton@shawbrick.ca

FREDERICTON

1205 Alison Boulevard, Fredericton, New Brunswick E3B 5A6

Phone: 506-453-9700 | Fax: 506-452-0980

Email: fredericton@shawbrick.ca

SAINT JOHN

350 Ashburn Road, Saint John, New Brunswick E2K 5B2

Phone: 506-634-7522 | Fax: 506-658-1023

Email: saintjohn@shawbrick.ca