

Brooklyn

FIREPLACE



ASSEMBLY INSTRUCTIONS

Brooklyn

FIREPLACE

► BASE PREPARATION

Brooklyn Fire Place Base Foundation:

- 30-L x 24-W x 2-H Reinforced 24 x 30 slabs (x4)

Aggregate Base Foundation:

- 6" deep
- 8" outside perimeter of base
- Compact sub-base soils to 95% of standard proctor
- Compact Aggregate base to 95% of standard proctor

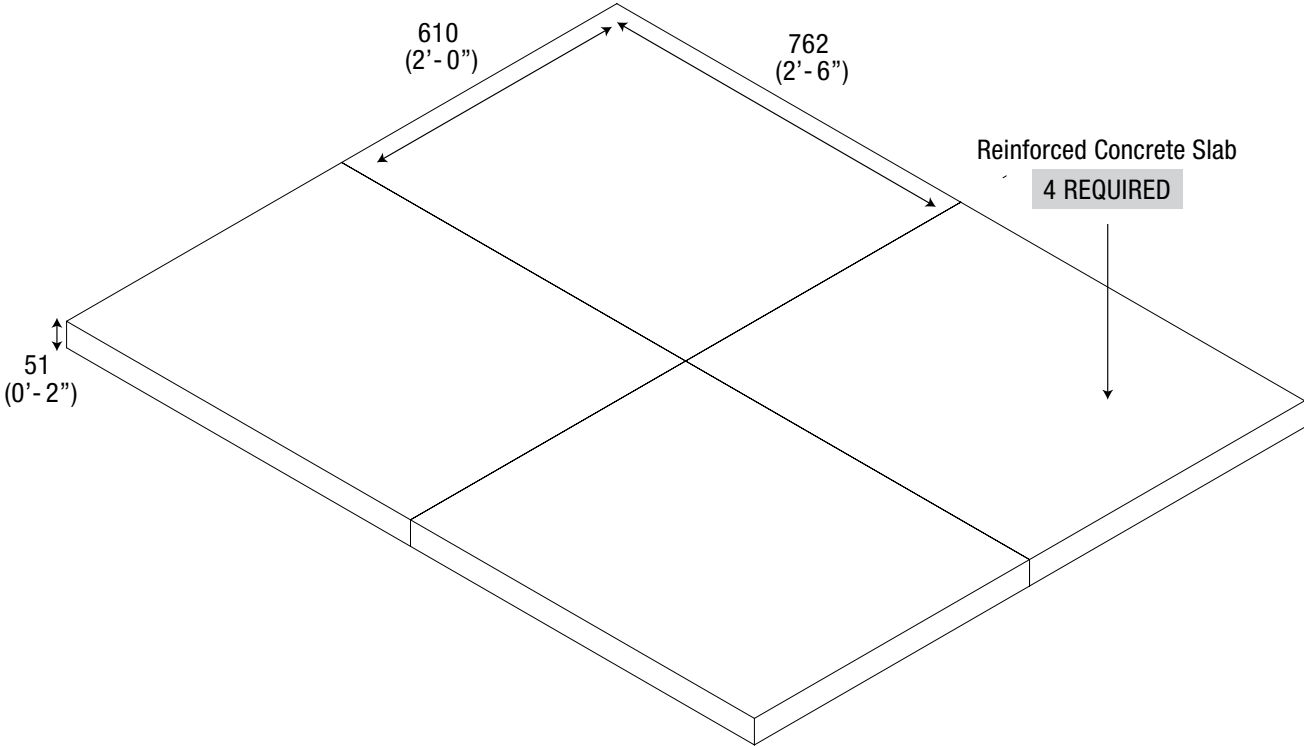
Zoning Permits:

Before planning your projects, it is important to know about zoning requirements and rules for excavating and building in your area. No matter the size of your project, be sure to attain the necessary permits before starting construction.

Know What's Below:

Whether you are planning to complete a project yourself or hire a professional; calling 811 before any job can help to ensure smart digging. Homeowners often make assumptions about whether or not they should have their utility lines marked on their properties, but every job that requires digging also requires a call to 811.

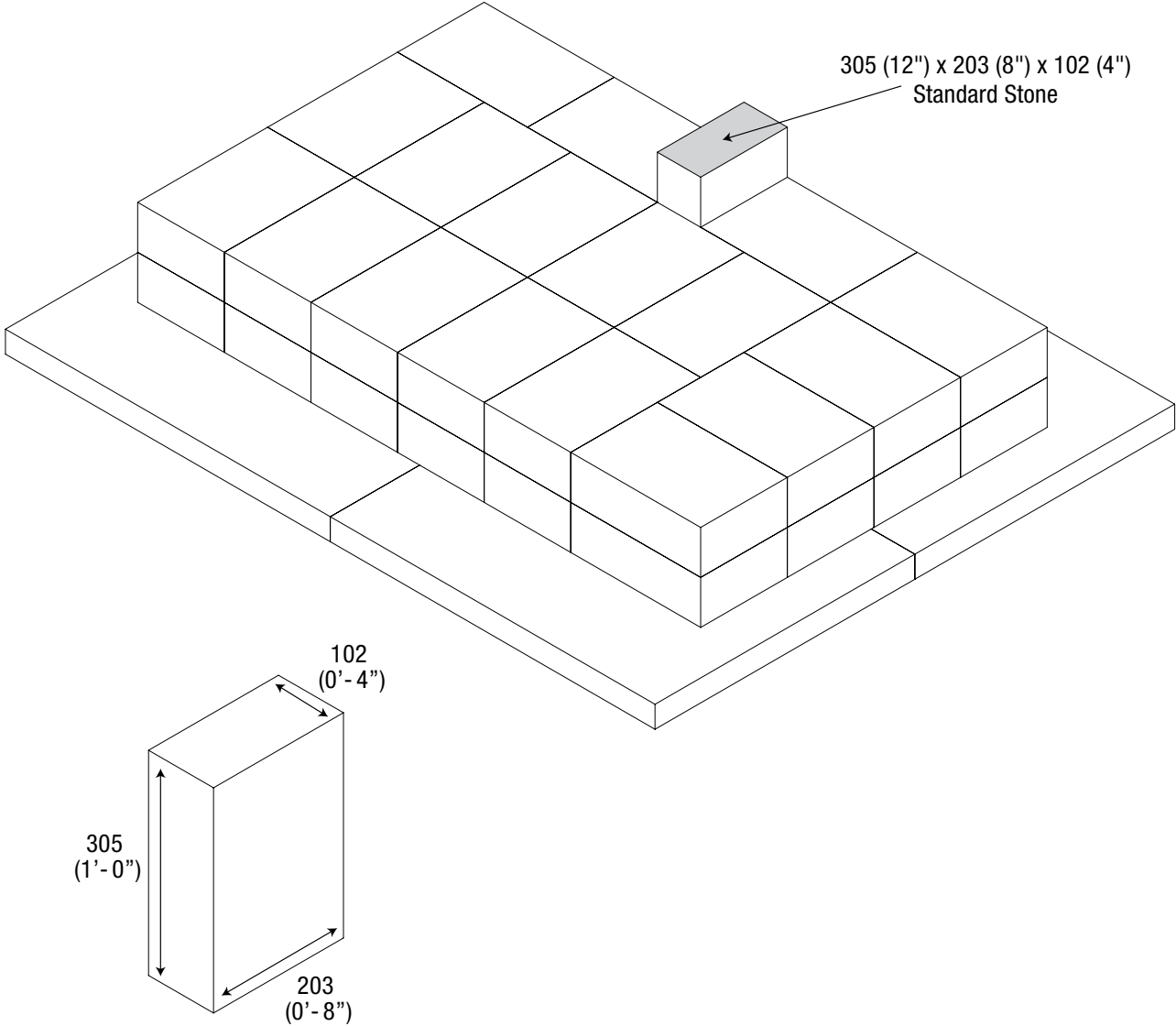
► STEP 1



Brooklyn

FIREPLACE

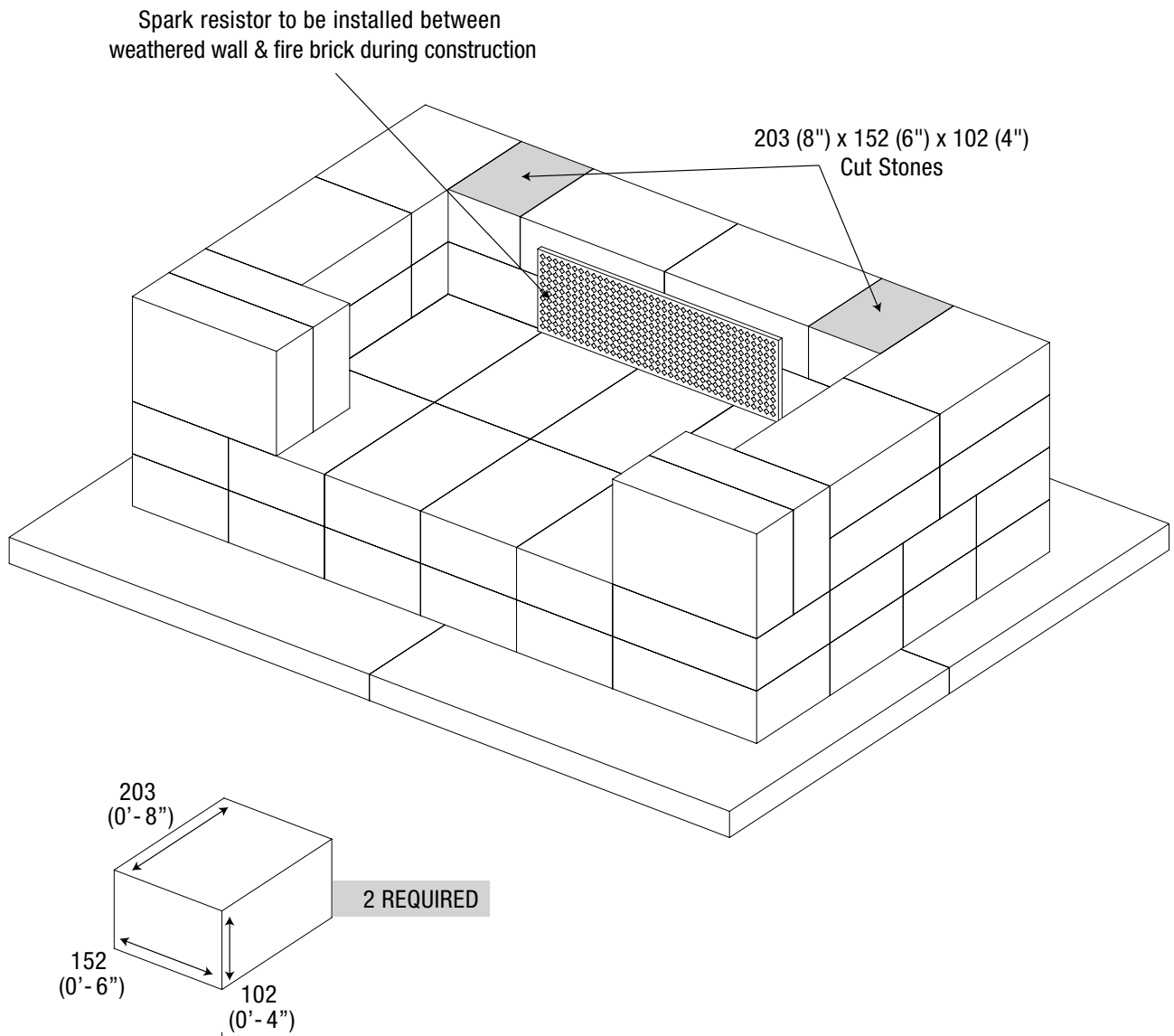
► STEP 2



Brooklyn

FIREPLACE

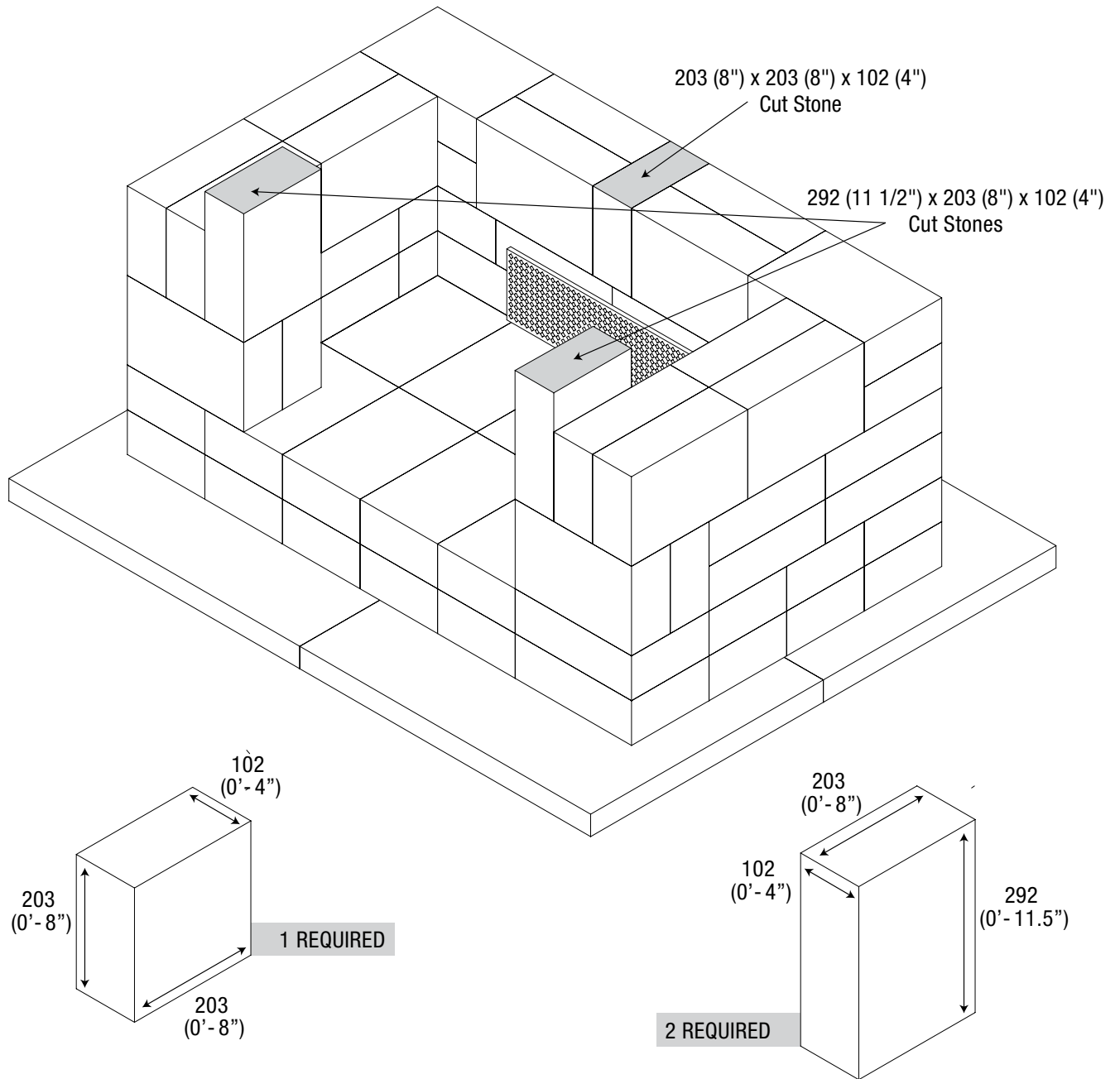
► STEP 3



Brooklyn

FIREPLACE

► STEP 4

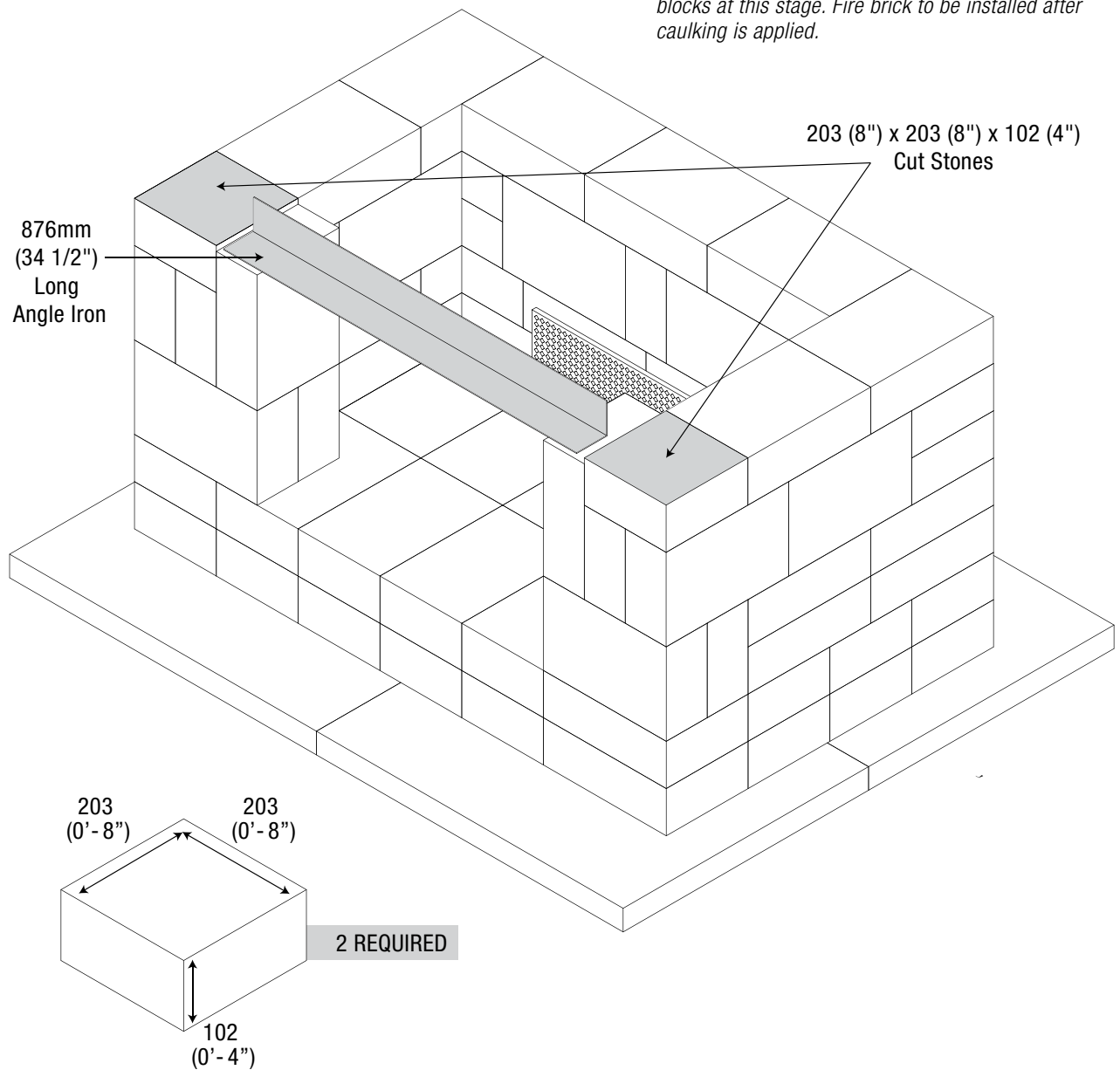


Brooklyn

FIREPLACE

► STEP 5

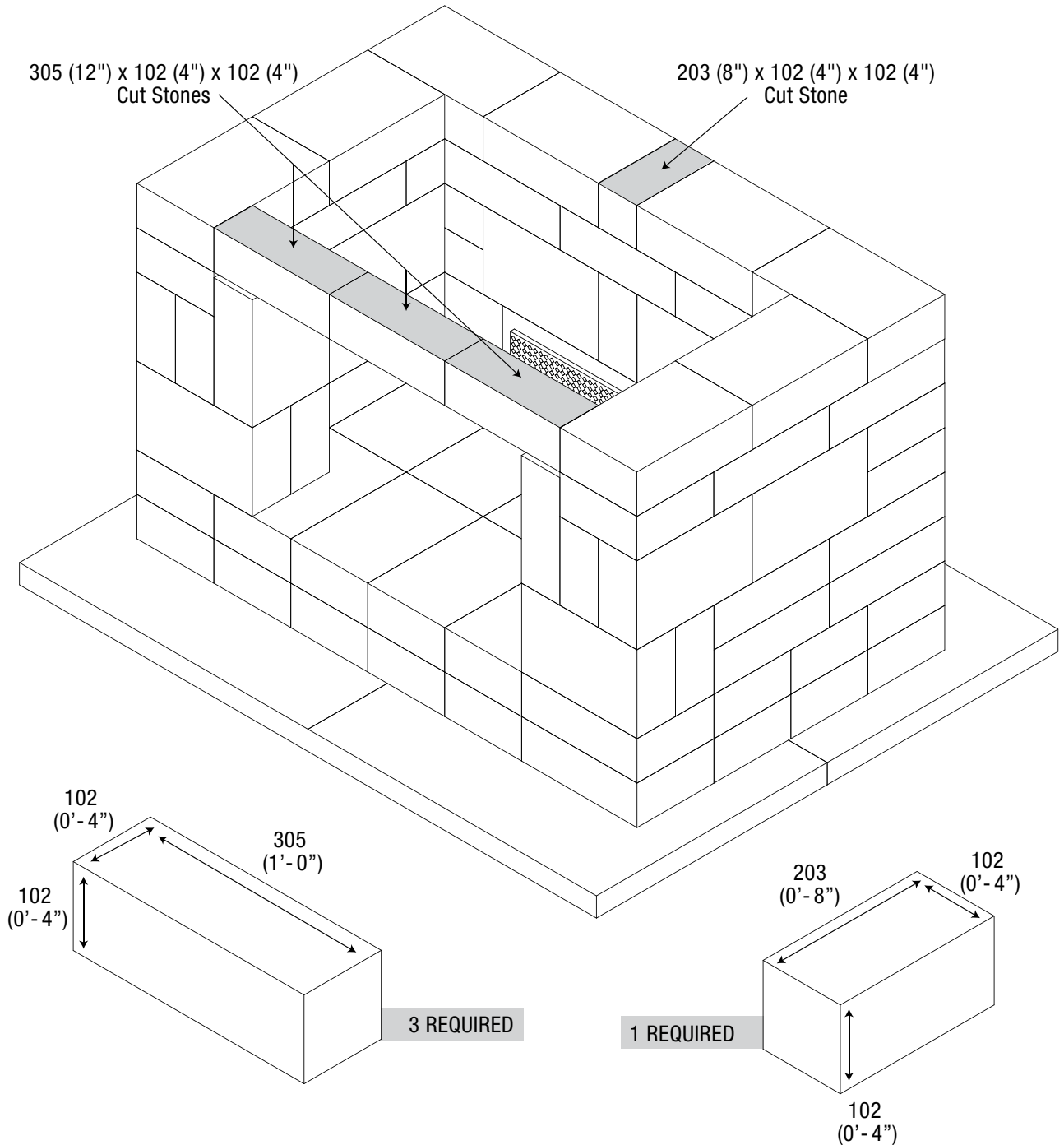
NOTE:
Caulking required in joints on inside of fireplace blocks at this stage. Fire brick to be installed after caulking is applied.



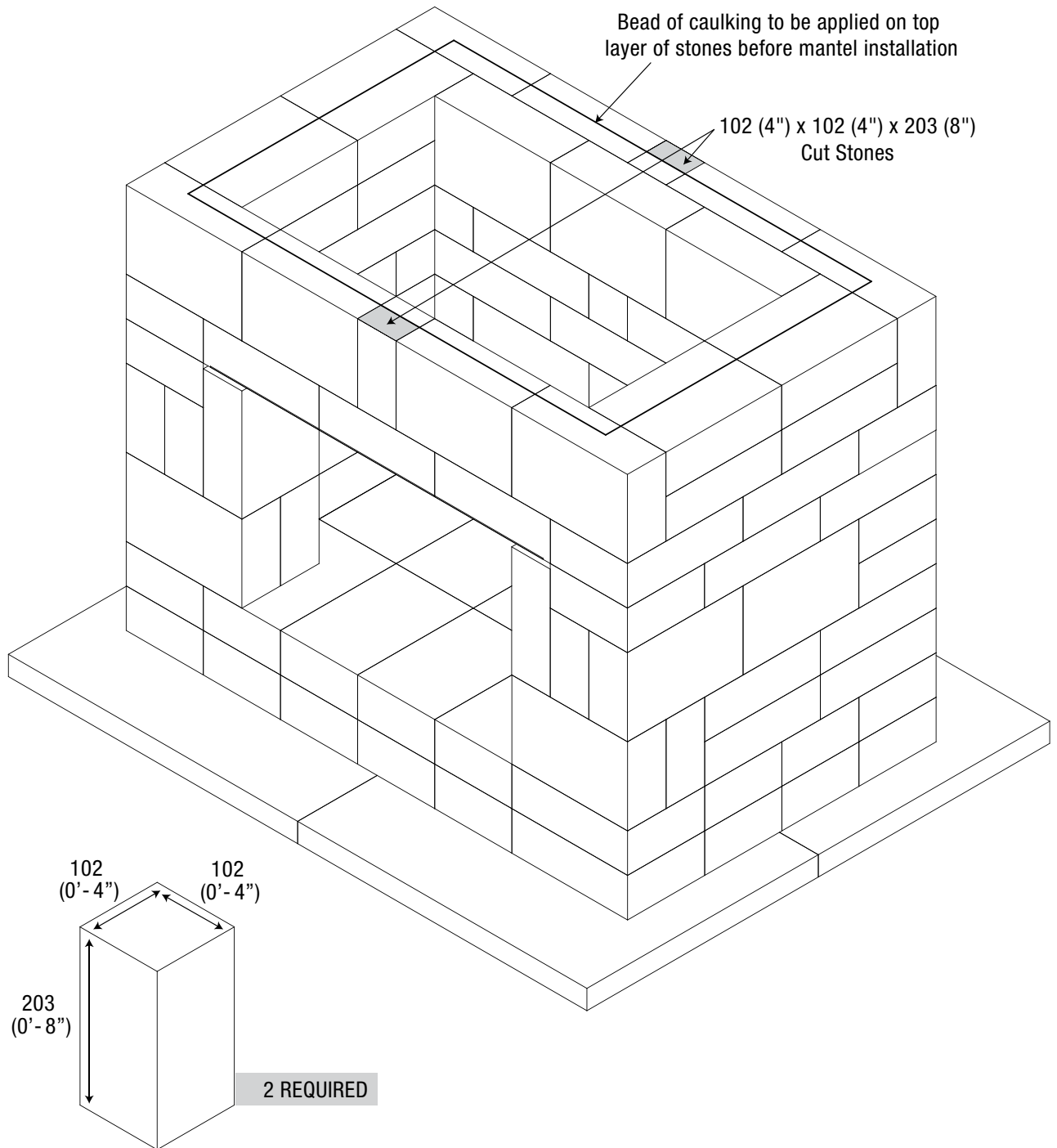
Brooklyn

FIREPLACE

▶ STEP 6



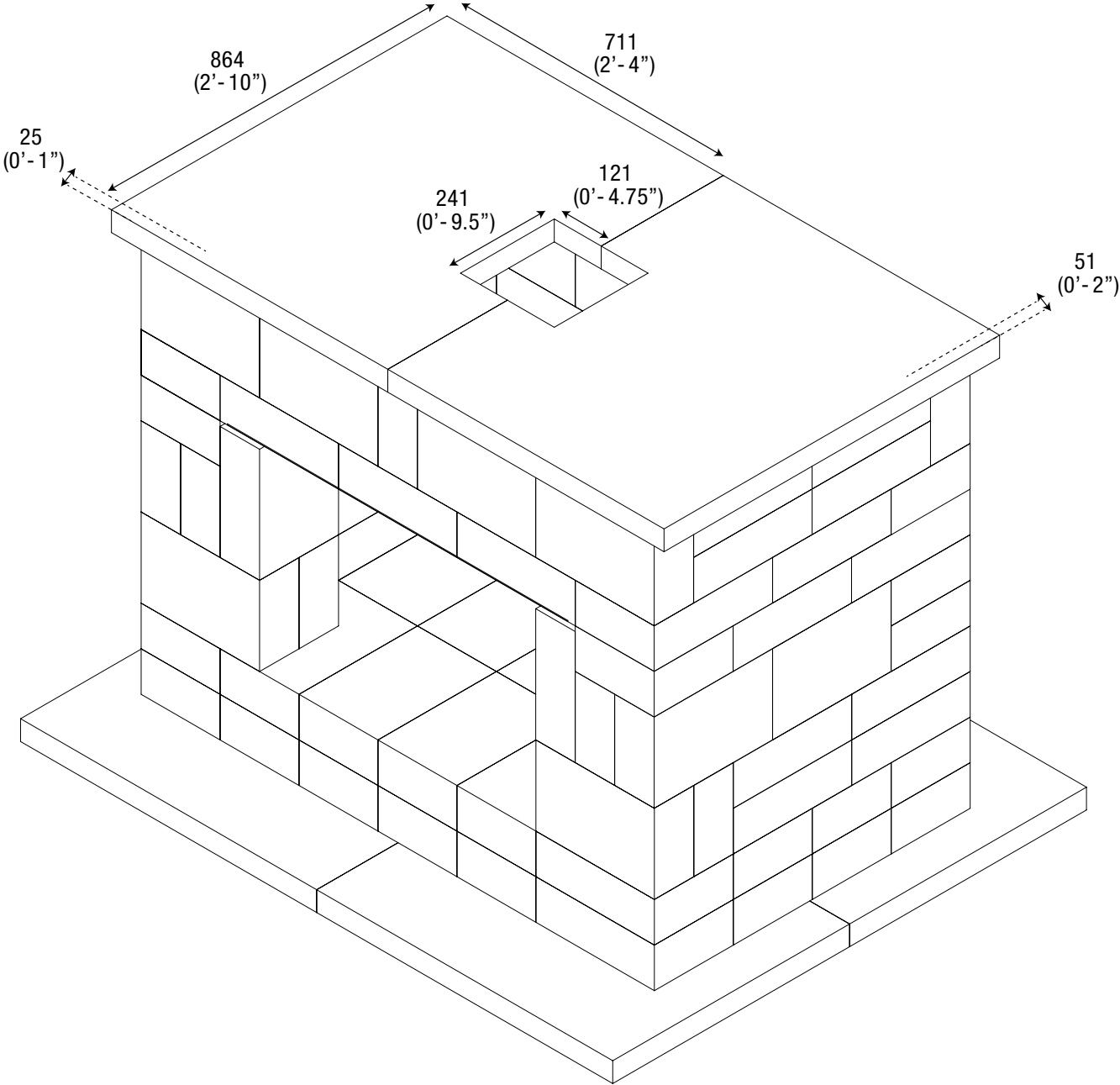
► STEP 7



Brooklyn

FIREPLACE

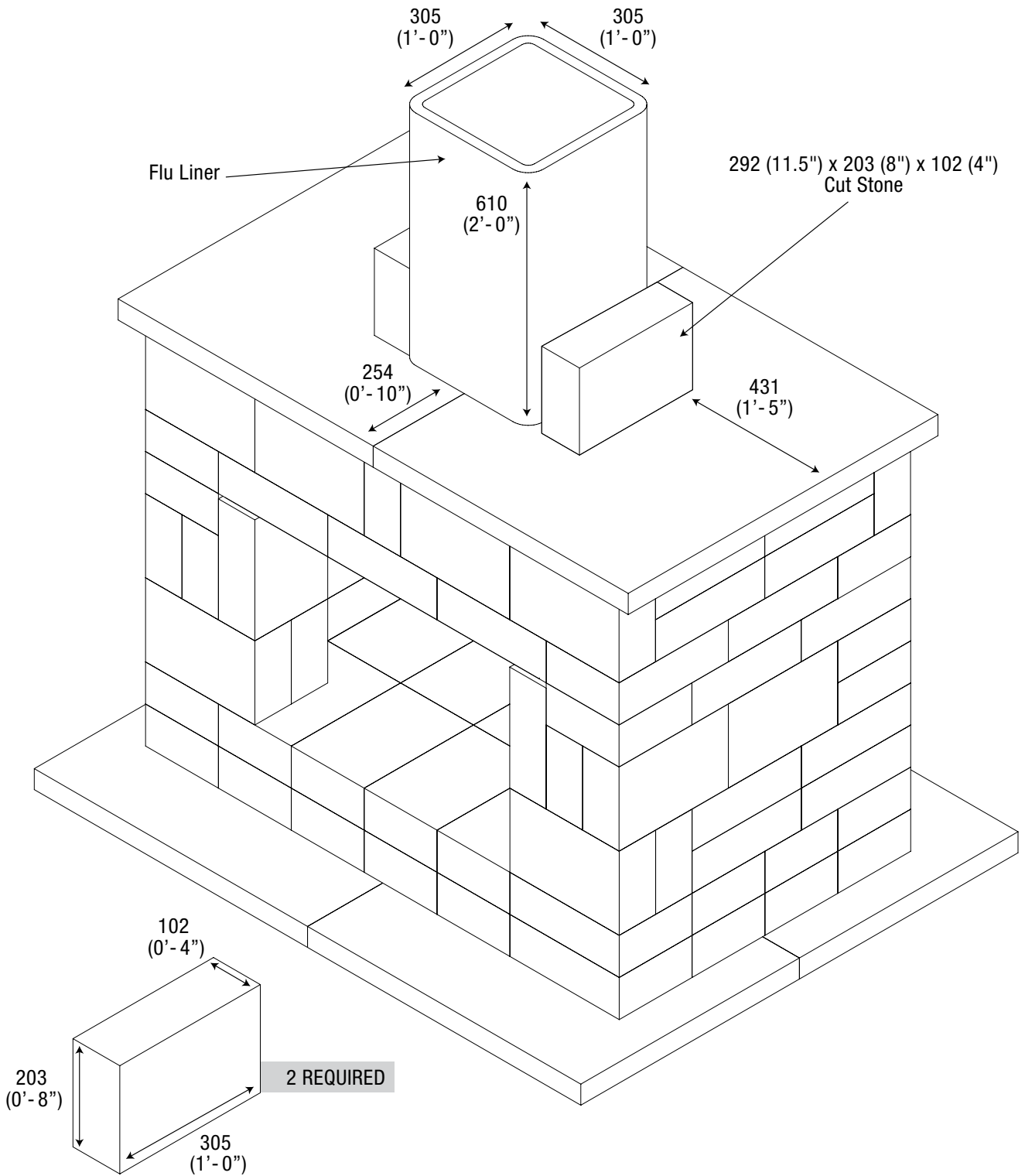
► STEP 8



Brooklyn

FIREPLACE

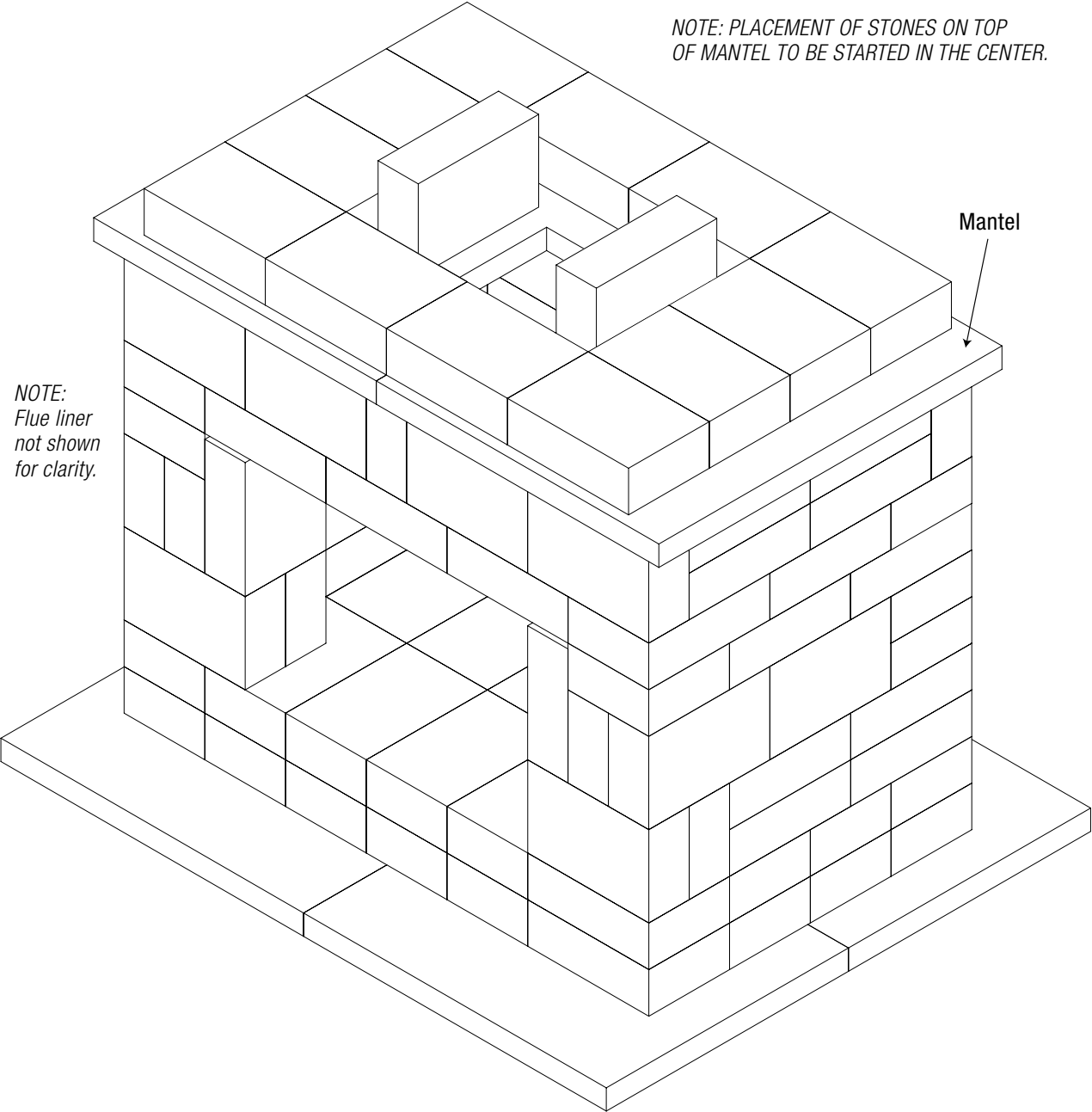
► STEP 9



Brooklyn

FIREPLACE

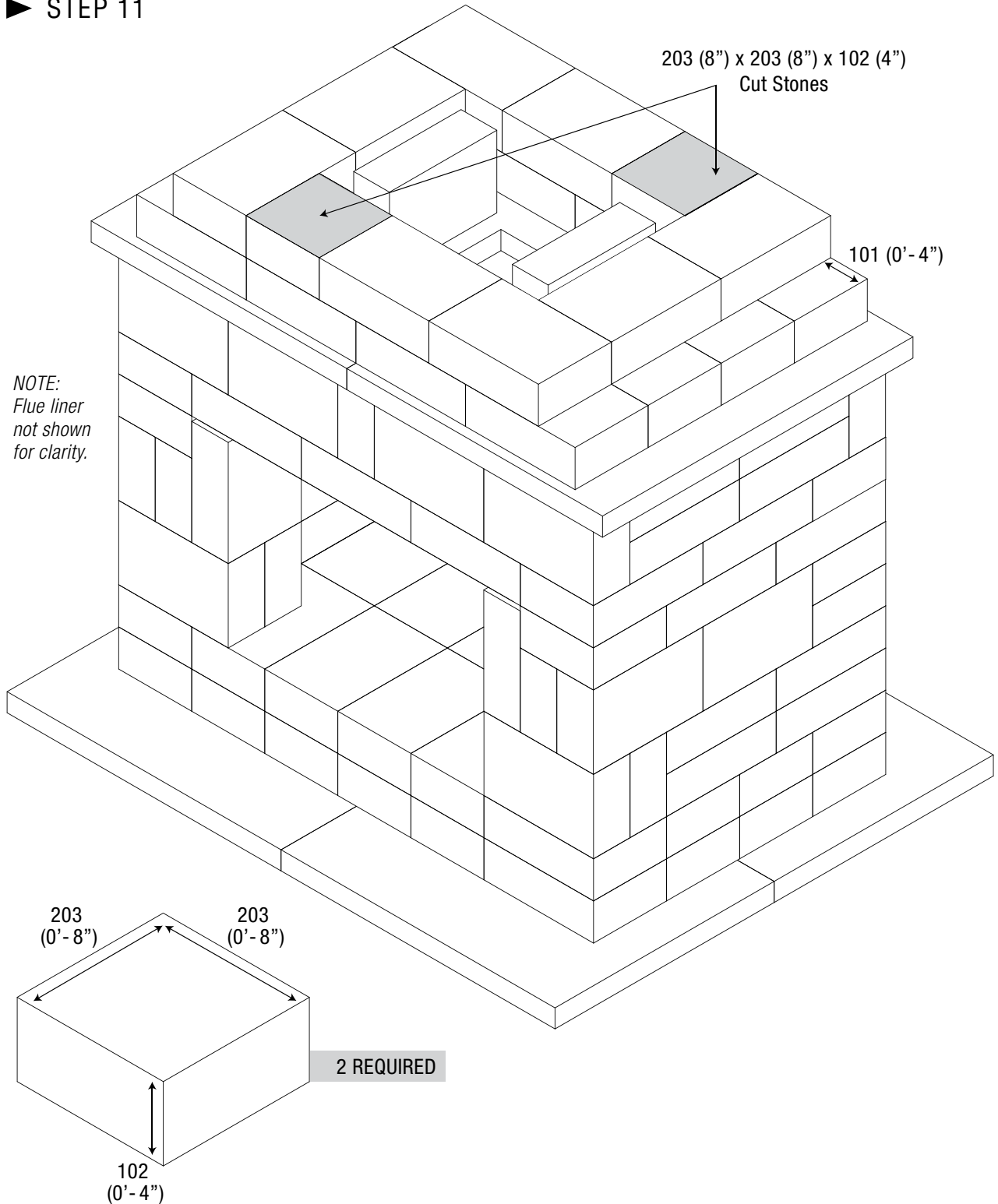
▶ STEP 10



Brooklyn

FIREPLACE

► STEP 11



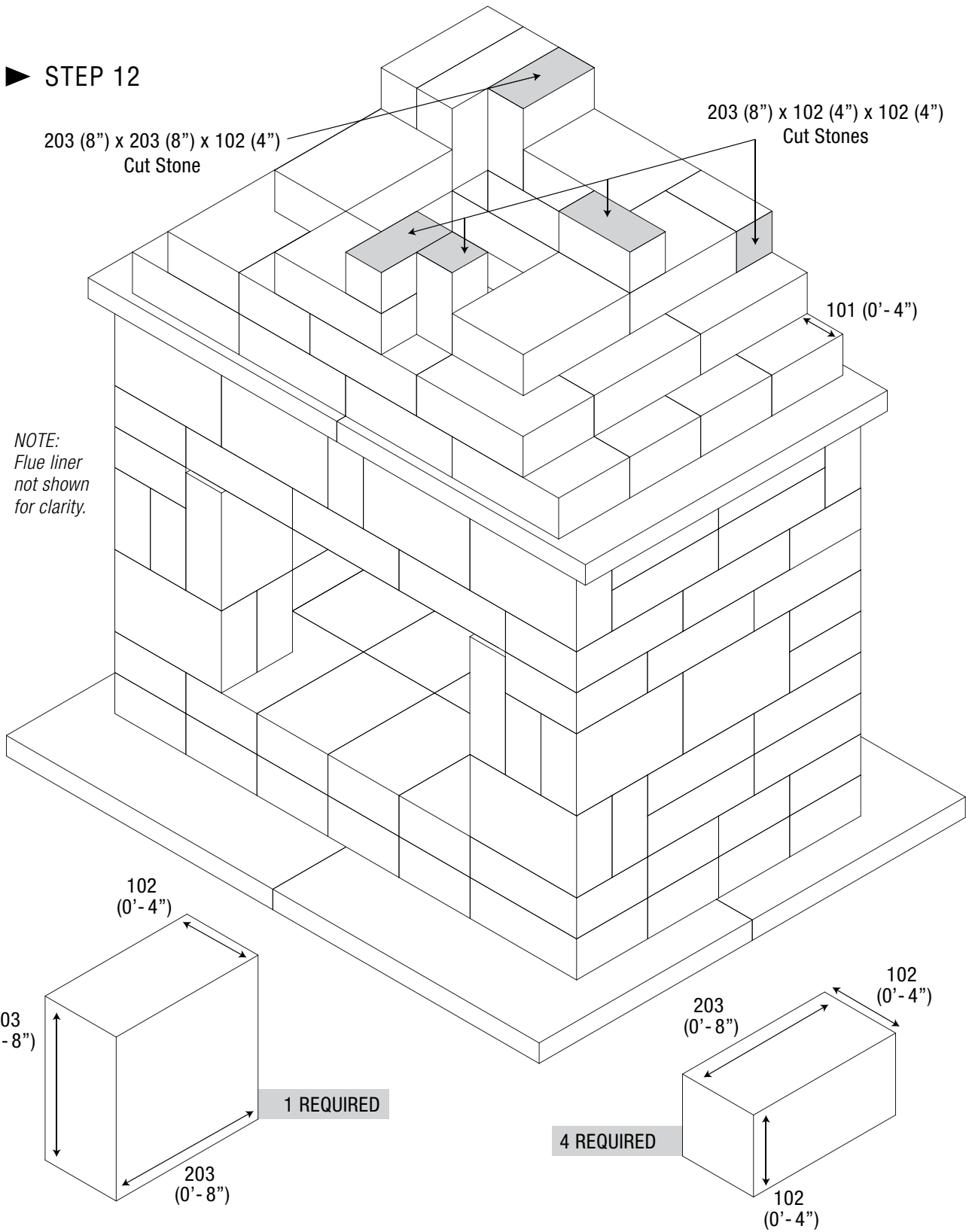
Brooklyn

FIREPLACE

STEP 12

203 (8") x 203 (8") x 102 (4")
Cut Stone

203 (8") x 102 (4") x 102 (4")
Cut Stones



NOTE:
Flue liner
not shown
for clarity.

101 (0'-4")

102 (0'-4")

203 (0'-8")

203 (0'-8")

1 REQUIRED

203 (0'-8")

102 (0'-4")

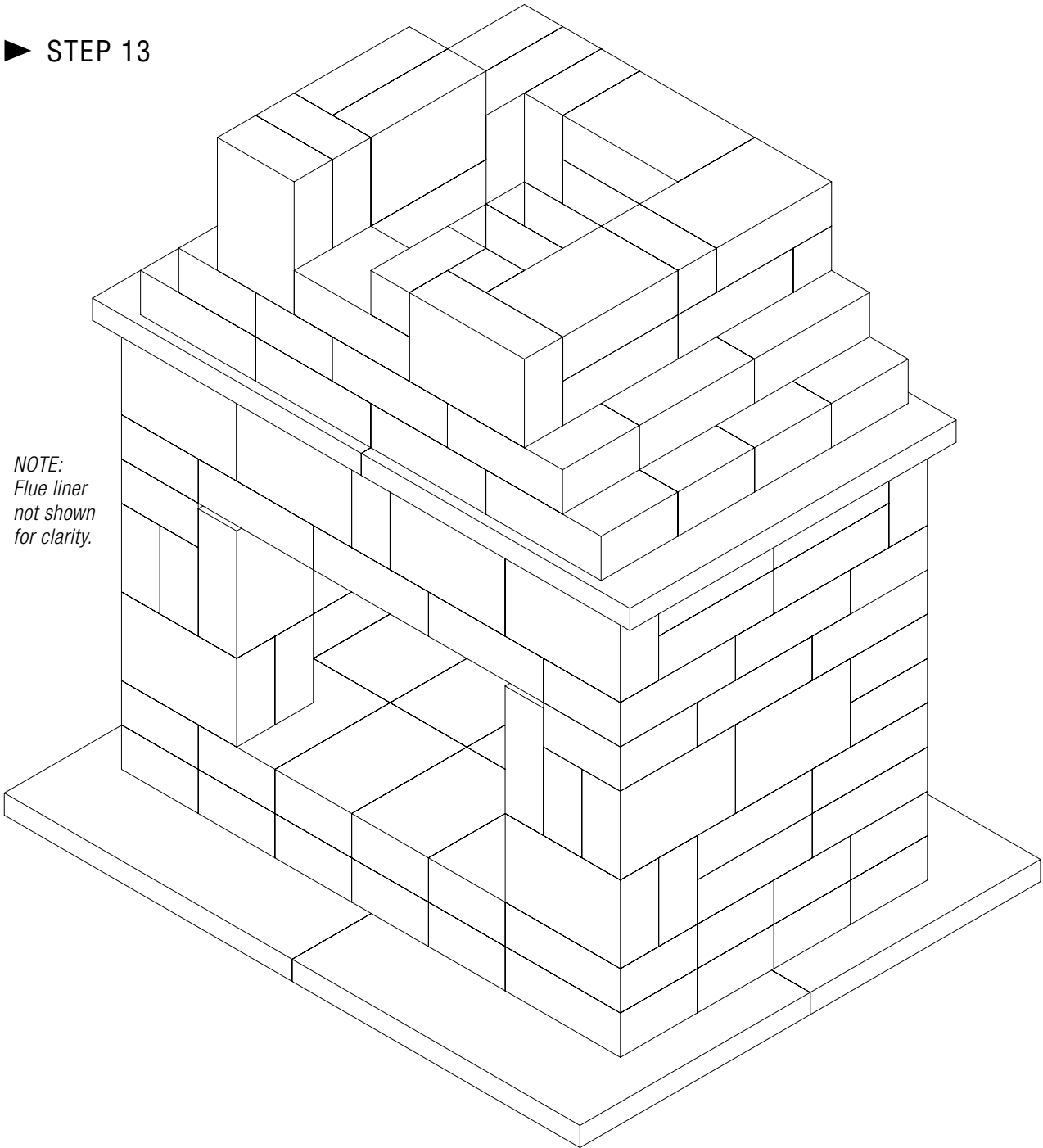
102 (0'-4")

4 REQUIRED

Brooklyn

FIREPLACE

▶ STEP 13

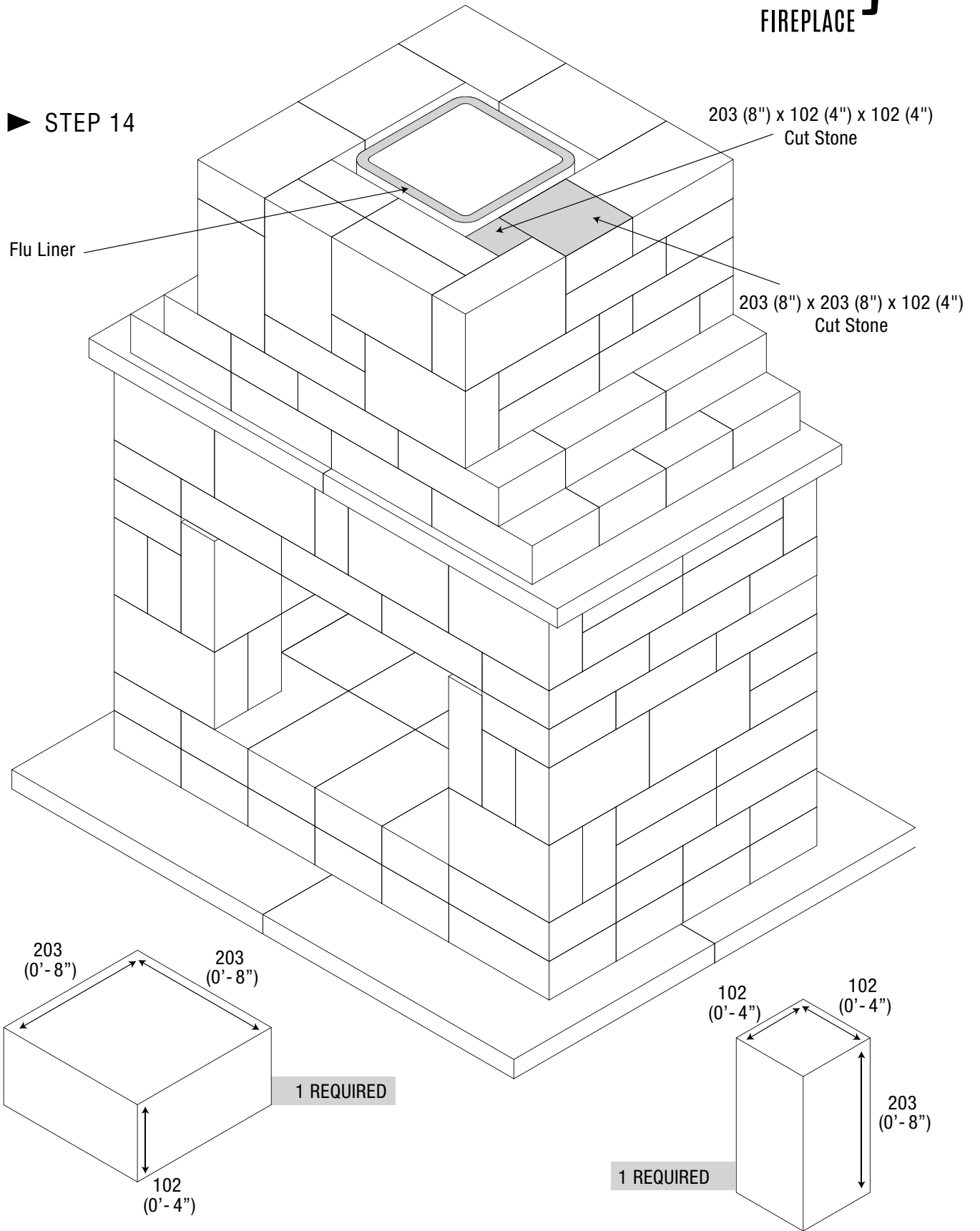


*NOTE:
Flue liner
not shown
for clarity.*

Brooklyn

FIREPLACE

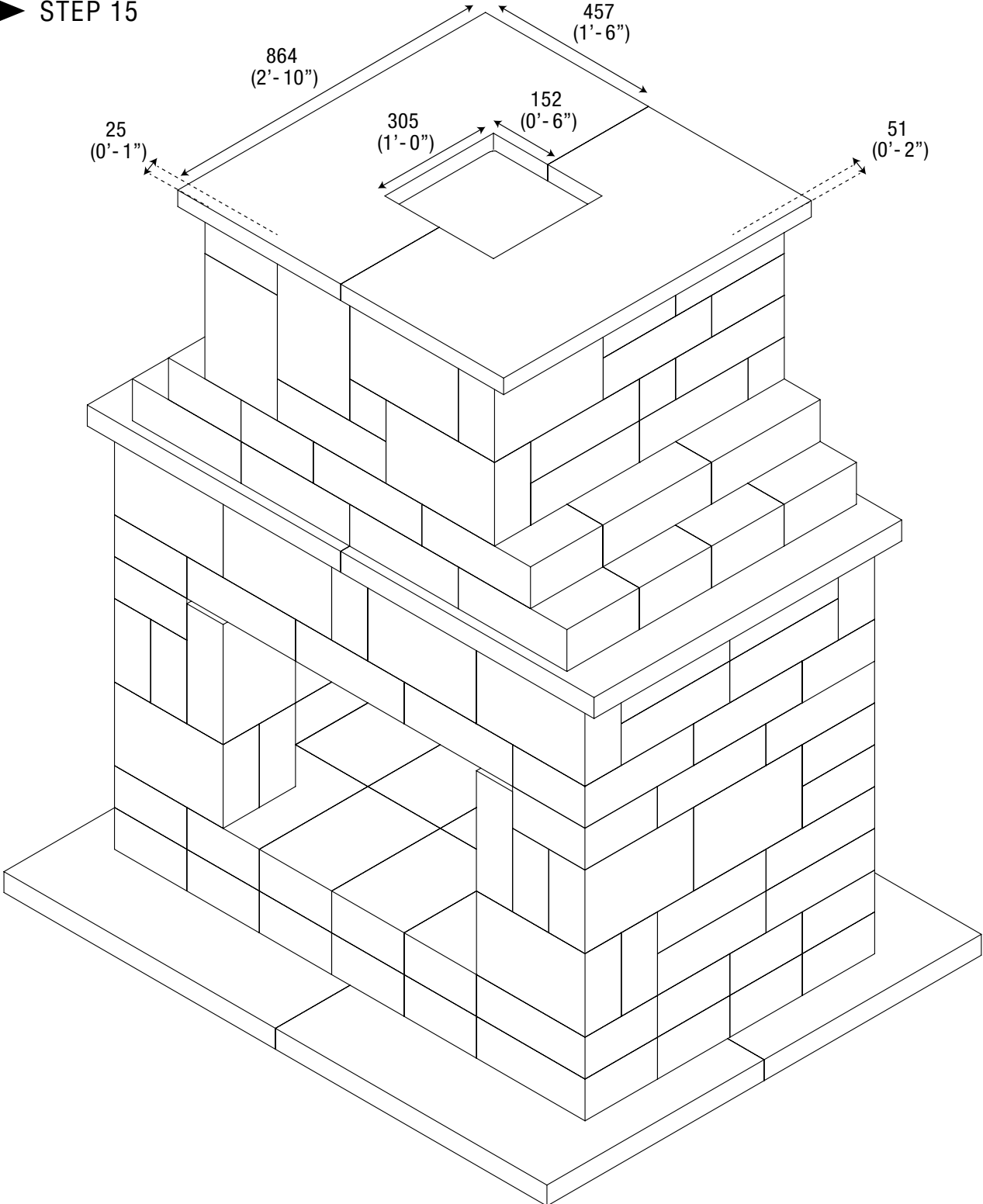
STEP 14



Brooklyn

FIREPLACE

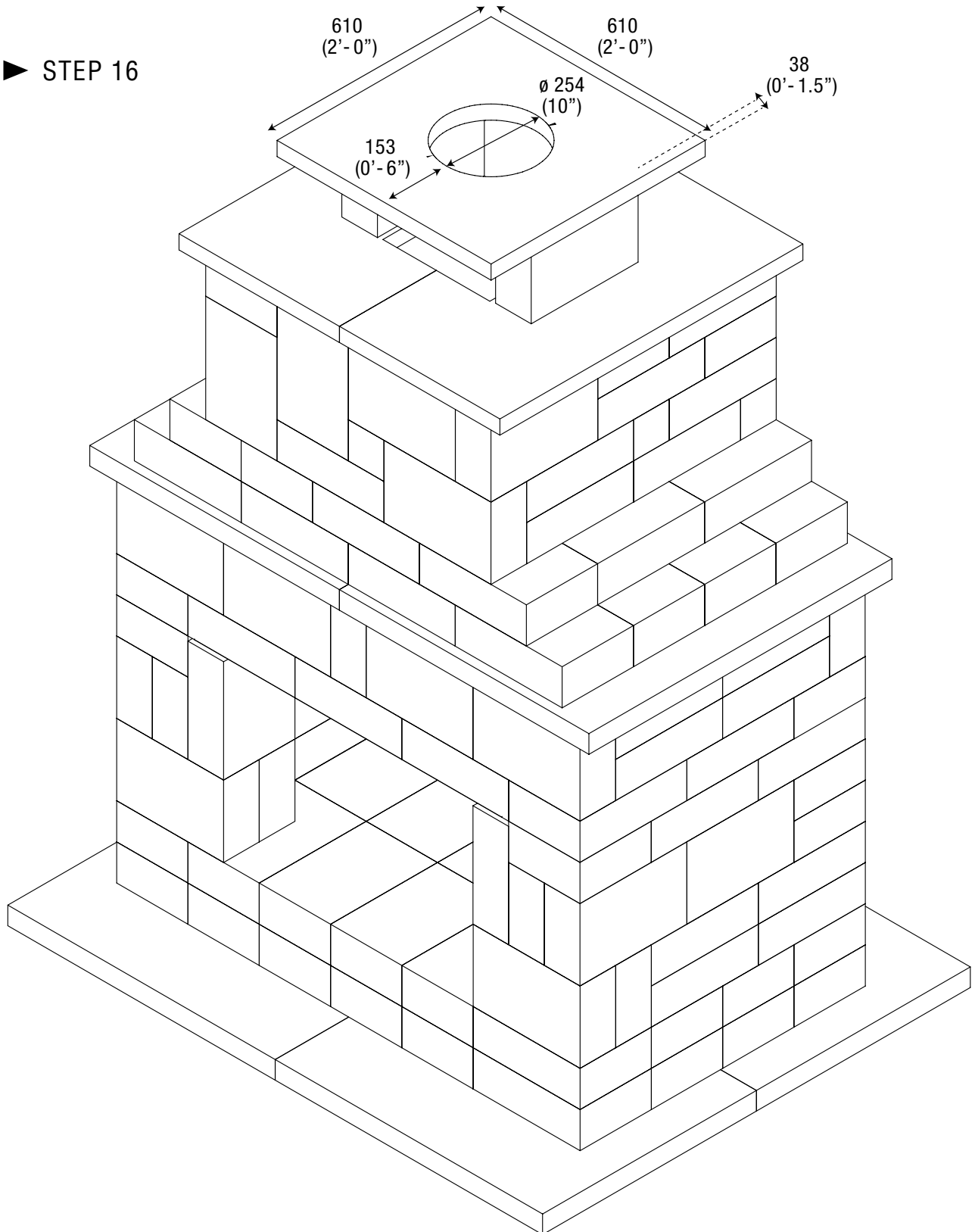
▶ STEP 15



Brooklyn

FIREPLACE

► STEP 16



► SHAW FIREPLACE 31.5" x 51" PARTS KIT

WEATHERED WALL (156 PCS) 4" x 8" x 12 – 22 CUT PCS

CUT	QUANTITY
8" x 11.5"	2
8" x 4"	8
8" x 6"	2
8" x 8"	7
4" x 4" x 12"	3

FIREBRICK (24PC) 4.5" x 9" – 17 CUT PCS

CUT	QUANTITY
4.5" x 3"	4
4.5" x 4"	7
4.5" x 6.5"	4
4.5" x 8.25"	2

► SHAW FIREPLACE 31.5" x 51" PARTS KIT continued

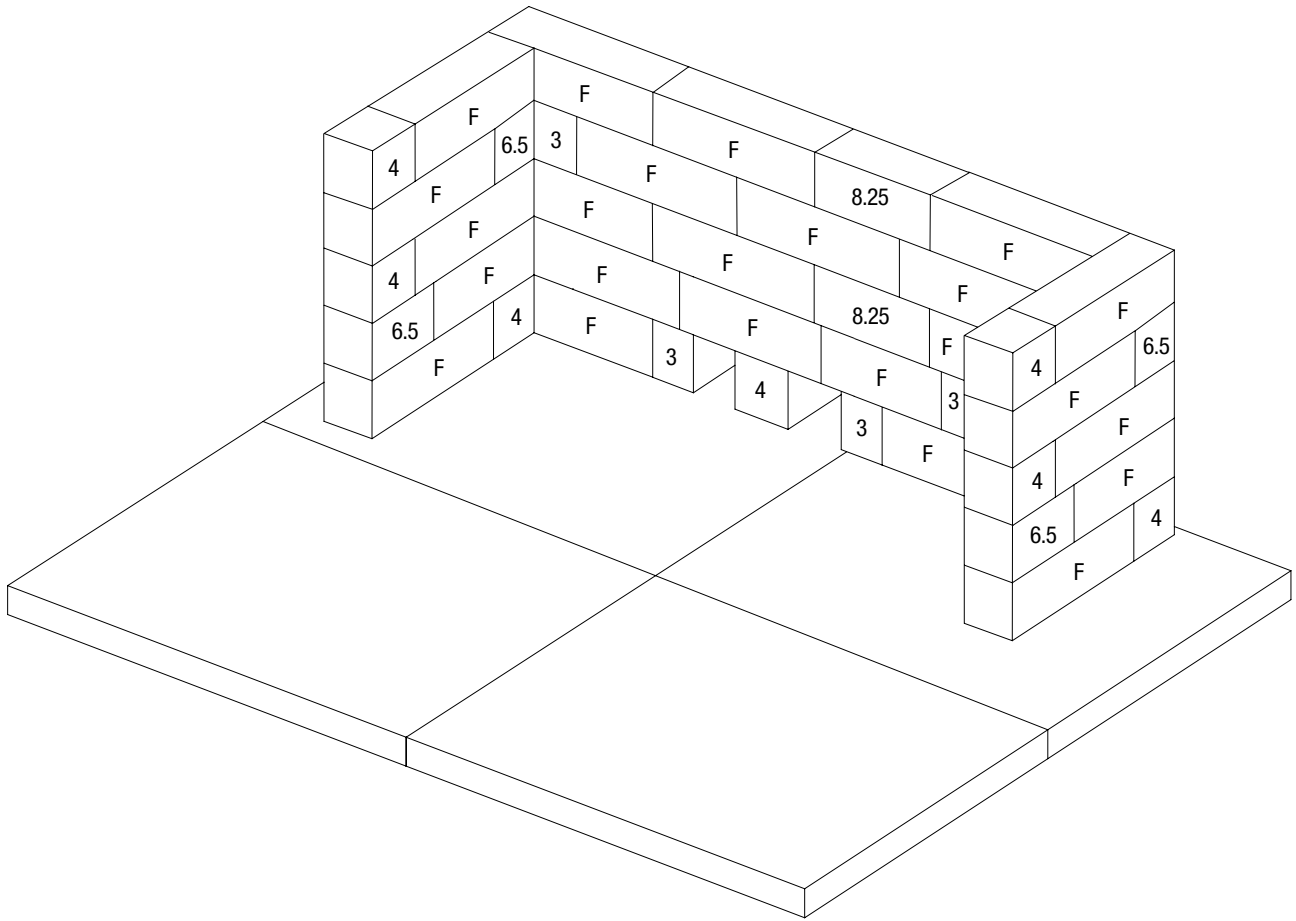
FIREBRICK INSTALLATION INSTRUCTIONS

# OF ROWS	FIREBRICK
1	4 PCS FULL 3 PCS 4"
2	5 PCS FULL 2 PCS 6.5"
3	5 PCS FULL 1 PCS 8.2"
4	5 PCS FULL 2 PCS 6.5"
5	5 PCS FULL 1 PCS 8.2"

ADDITIONAL COMPONENTS

DESCRIPTION	QUANTITY
12" x 12" Flue Liner	1
34" x 56" x 2.25" Mantel	1
34" x 36" 1.5" Mantel	1
24" x 24" 1.5" Pier Cap	1
Cauking Gun	1
Tubes of Adhesive	8
3" x 3" x 35.5" Fire Grate .25" Thick Angle Iron	1

► FIREBRICK LAYOUT



ALL FIREBRICK IS SUPPLIED AND CUT

F = Full Size Firebrick
(9" x 2.5" x 4.5") (24 Units)

6.5 = Cut 6.5" Firebrick
(6.5" x 2.5" x 4.5") (4 Units)

3 = Cut 3" Firebrick
(3" x 2.5" x 4.5") (4 Units)

8.25 = Cut 8.25" Firebrick
(8.25" x 2.5" x 4.5") (2 Units)

4 = Cut 4" Firebrick
(4" x 2.5" x 4.5") (7 Units)

► CONTACT INFORMATION

Corporate Office

1101 Highway #2, PO Box 2130, Lantz, Nova Scotia B2S 3G4

Phone: 902-883-2201 | Fax: 902-883-1457

Email: salesinfo@shawbrick.ca

Website: www.shawbrick.ca

Retail Locations

DARTMOUTH

5 Ralston Avenue, Dartmouth, Nova Scotia B3H 1H5

Phone: 902-468-7429 | Fax: 902-468-7149

Email: dartmouth@shawbrick.ca

SYDNEY

11 Disco Street, Sydney, Nova Scotia B1P 6H4

Phone: 902-564-8228 | Fax: 902-564-0538

Email: sydney@shawbrick.ca

MONCTON

329 Collishaw Street, Moncton, New Brunswick E1C 9R2

Phone: 506-857-8886 | Fax: 506-857-4044

Email: moncton@shawbrick.ca

FREDERICTON

1205 Alison Boulevard, Fredericton, New Brunswick E3B 5A6

Phone: 506-453-9700 | Fax: 506-452-0980

Email: fredericton@shawbrick.ca

SAINT JOHN

350 Ashburn Road, Saint John, New Brunswick E2K 5B2

Phone: 506-634-7522 | Fax: 506-658-1023

Email: saintjohn@shawbrick.ca



SHAWBRICK.CA